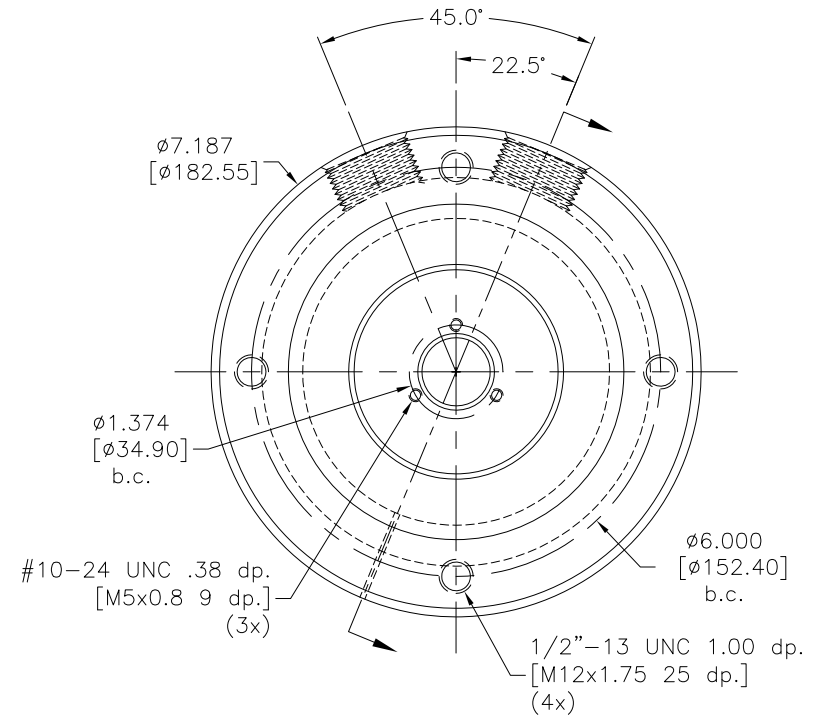
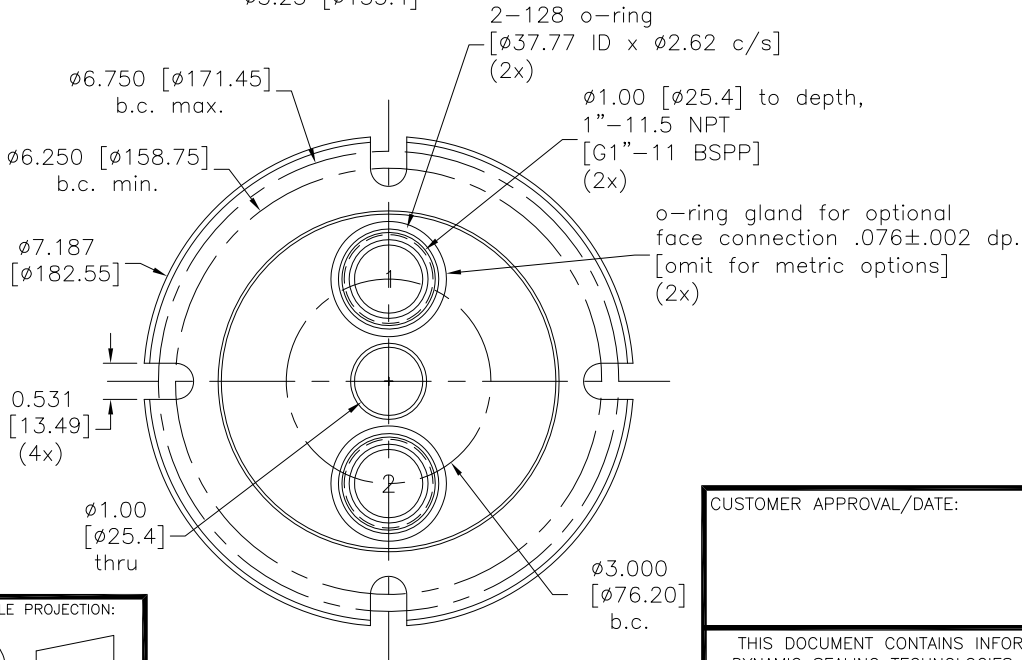
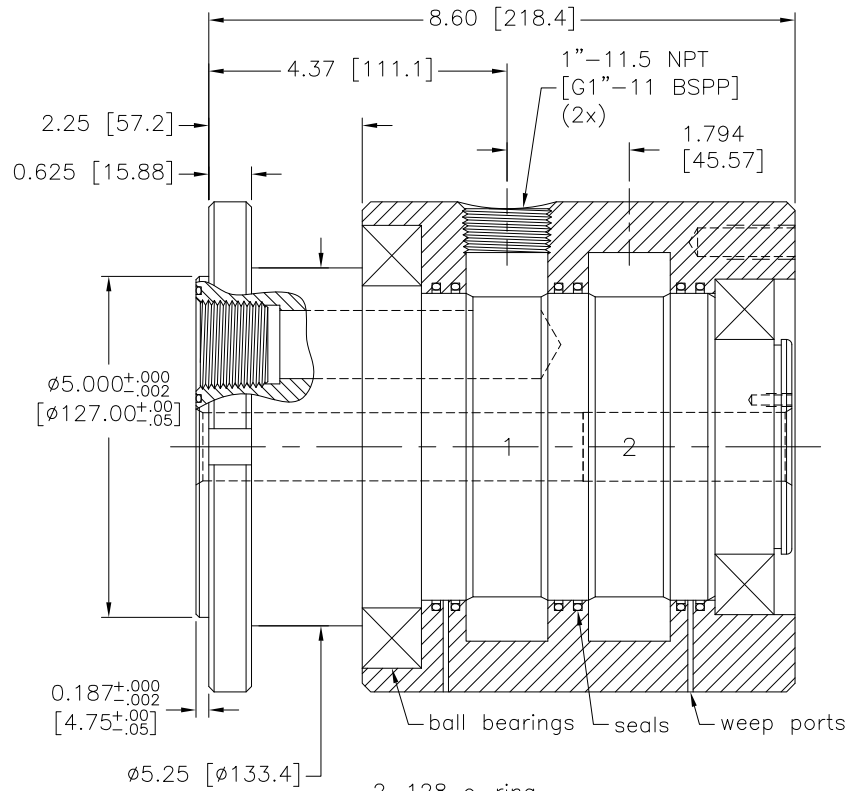


| Rev: | Date | By | Chk | Description |
|------|---------|-----|-----|-------------|
| A.1 | 9/19/13 | PJE | RAW | ECO 0024 |



- Notes:**
1. Union will be rotated for seal break-in and static air tested.
 2. Media must be filtered, clean and free of abrasive content or reduced union life will result.
 3. Stainless steel union construction available by using GPS in place of GP in the series designation prefix.
 4. Metric connections and threads available by using GPM in place of GP in the series designation prefix.
 5. Stainless steel union construction and metric connections/threads available by using GPSM in place of GP in the series designation prefix.
 6. See SHEETS 2 and 3 for product options.

| | | |
|---------|-----|----------|
| Drawn | JSM | 6/1/04 |
| Checked | PJE | 10/29/08 |
| Checked | PJE | 9/19/13 |

| TOLERANCE EXCEPT AS NOTED | |
|---------------------------|--------|
| X.X | ±.125 |
| X.XX | ±.015 |
| X.XXX | ±.005 |
| ANGLES | ± 0.5° |

| | |
|------------------------|---------------------|
| SHAFT MTL/PLTING: | |
| CARBON STL / 17–4 SSSL | 60–62 Rc / 40–47 Rc |
| BLK OXIDE / | TDC |

| | |
|---------------------|----------|
| HOUSING MTL/PLTING: | |
| CARBON STL / | 303 SSSL |
| BLK OXIDE / | |

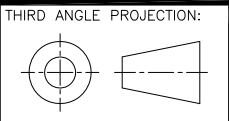
DSTI
DYNAMIC SEALING TECHNOLOGIES, INC
13829 JAY ST NW ~ ANDOVER, MN 55304
866-700-DSTI (3784)

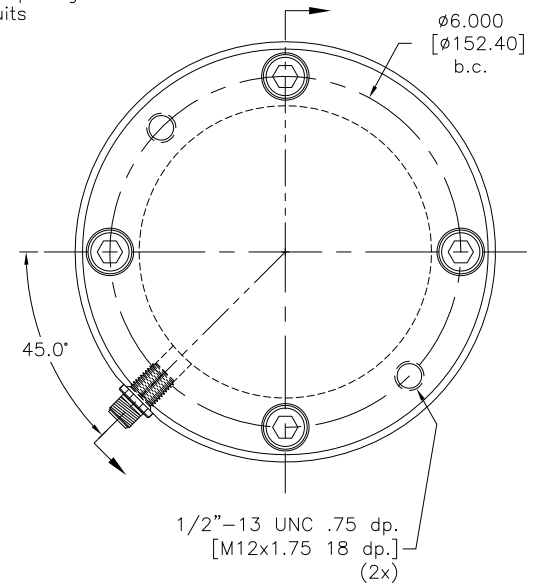
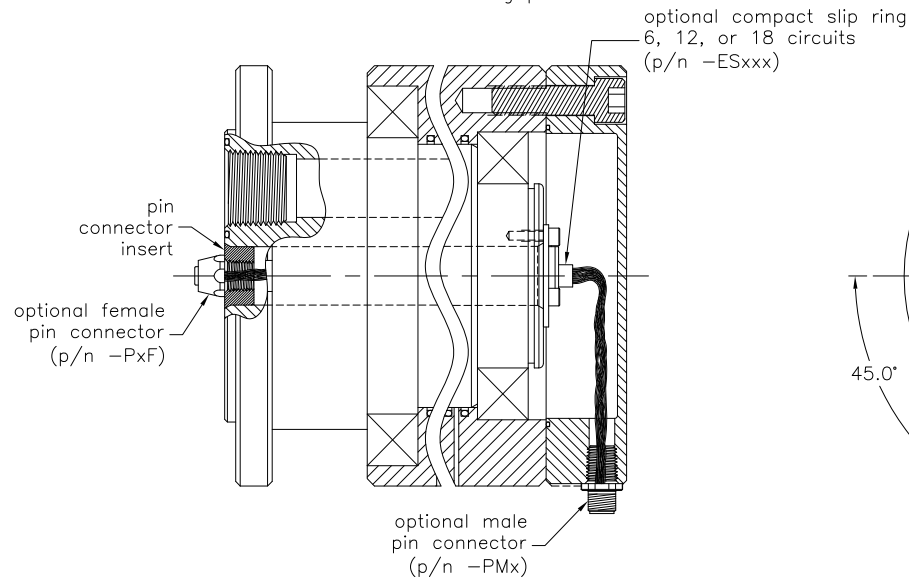
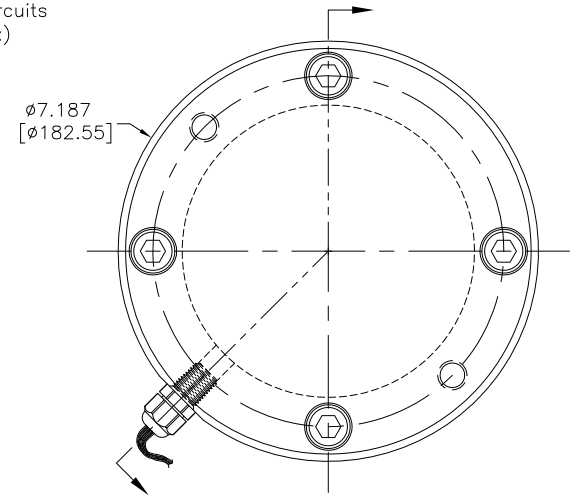
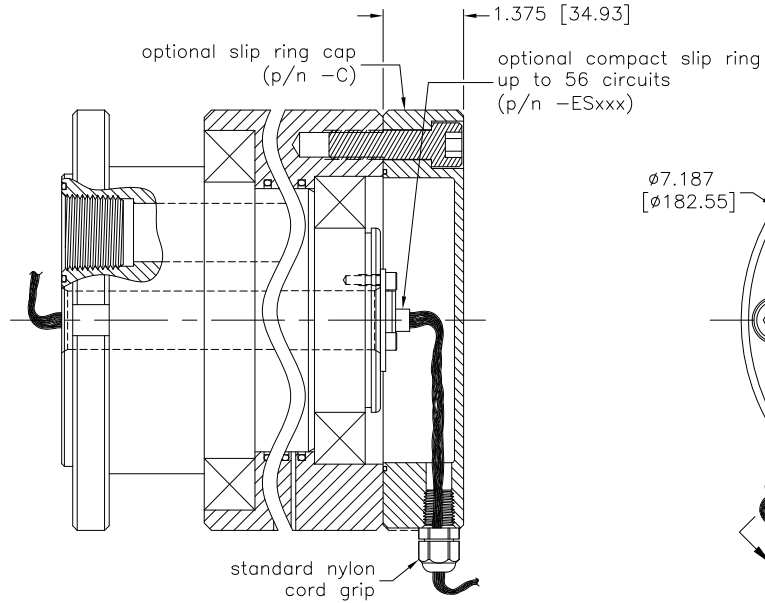
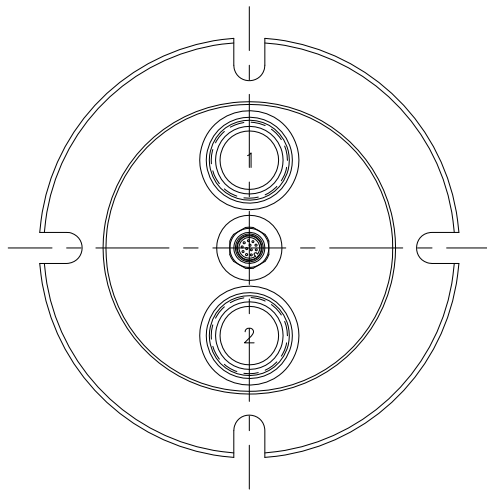
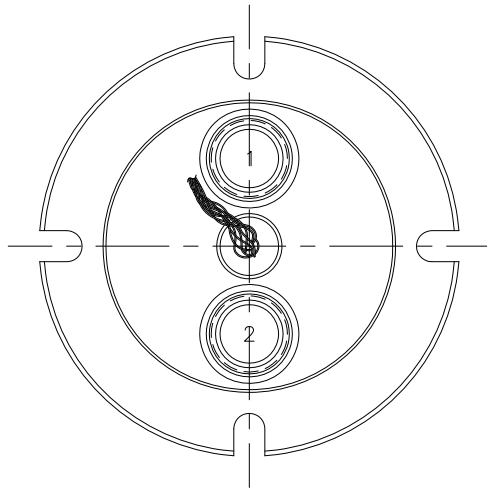
CUSTOMER: STOCK

P/N: GP(S)(M)–621
REV: A.1

CUSTOMER APPROVAL/DATE:

THIS DOCUMENT CONTAINS INFORMATION WHICH IS PROPRIETARY TO DYNAMIC SEALING TECHNOLOGIES, INC. (DSTI) NO REPRODUCTION OR PUBLICATION OF THIS DOCUMENT OR IT'S CONTENTS, IN WHOLE OR PART, SHALL BE MADE WITHOUT THE WRITTEN CONSENT FROM DSTI.





Notes:

- Optional male AND female pin connector (p/n -PMF).
- Contact DSTI for details about slip rings and pin connectors.

| | | |
|---------|-----|----------|
| Drawn | PJE | 2/13/09 |
| Checked | PJE | 10/29/08 |
| Checked | PJE | 9/19/13 |

| TOLERANCE EXCEPT AS NOTED | |
|---------------------------|--------|
| X.X | ±.125 |
| X.XX | ±.015 |
| X.XXX | ±.005 |
| ANGLES | ± 0.5° |

DSTI
 DYNAMIC SEALING TECHNOLOGIES, INC
 13829 JAY ST NW ~ ANDOVER, MN 55304
 866-700-DSTI (3784)

CUSTOMER APPROVAL/DATE:

THIS DOCUMENT CONTAINS INFORMATION WHICH IS PROPRIETARY TO DYNAMIC SEALING TECHNOLOGIES, INC. (DSTI) NO REPRODUCTION OR PUBLICATION OF THIS DOCUMENT OR IT'S CONTENTS, IN WHOLE OR PART, SHALL BE MADE WITHOUT THE WRITTEN CONSENT FROM DSTI.

CAP MTL/PLTING:
 ALUM
 BLUE ANODIZE

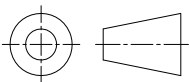
PIN CONNECTOR INSERT MTL/PLTING:
 ALUM
 BLUE ANODIZE

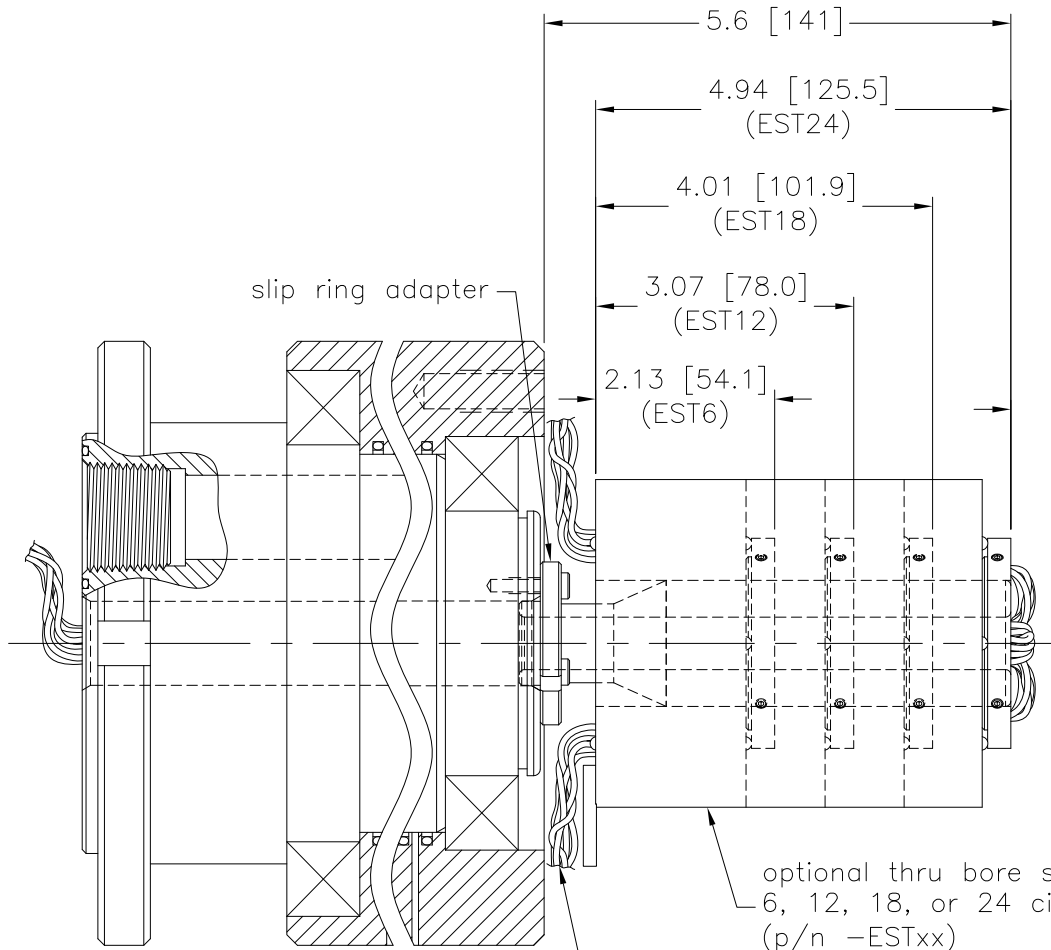
CUSTOMER:
 STOCK OPTIONS

P/N:
 GP(S)(M)-621

REV:
 A.1

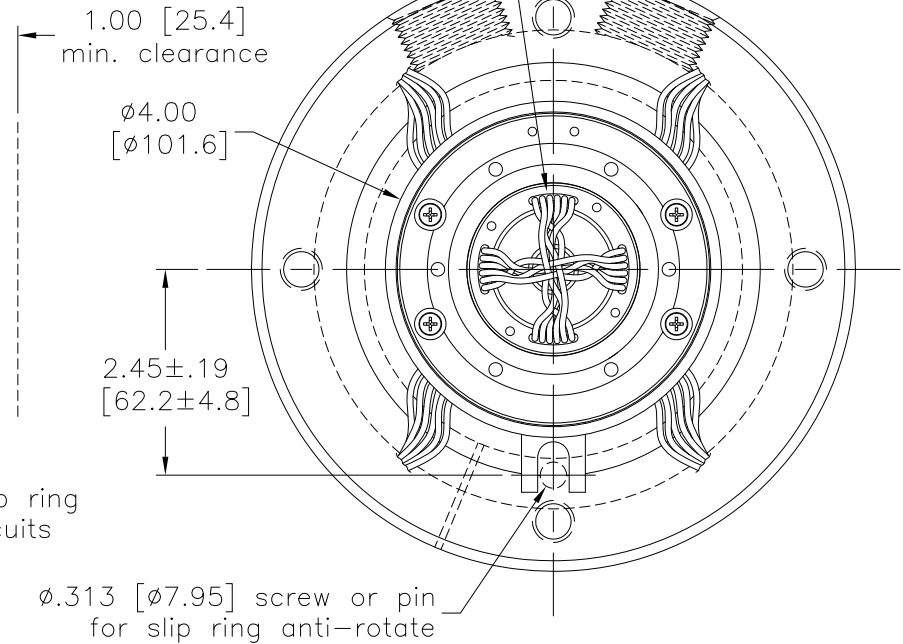
THIRD ANGLE PROJECTION:





- 1) wire bundle for EST6
- 2) wire bundles for EST12
- 3) wire bundles for EST18
- 4) wire bundles for EST24

- 1) wire bundle for EST6
- 2) wire bundles for EST12
- 3) wire bundles for EST18
- 4) wire bundles for EST24



| | | |
|---------|-----|---------|
| Drawn | PJE | 2/25/13 |
| Checked | DES | 2/27/13 |
| Checked | RAW | 2/27/13 |

| | |
|---------------------------|--------|
| TOLERANCE EXCEPT AS NOTED | |
| X.X | ±.125 |
| X.XX | ±.015 |
| X.XXX | ±.005 |
| ANGLES | ± 0.5° |



CUSTOMER APPROVAL/DATE:

ADAPTER MTL/PLTNG:

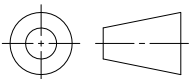
ALUM
BLUE ANODIZE

CUSTOMER:
STOCK OPTIONS

P/N:
GP(S)(M)-621

REV:
A.1

THIRD ANGLE PROJECTION:



THIS DOCUMENT CONTAINS INFORMATION WHICH IS PROPRIETARY TO DYNAMIC SEALING TECHNOLOGIES, INC. (DSTI) NO REPRODUCTION OR PUBLICATION OF THIS DOCUMENT OR IT'S CONTENTS, IN WHOLE OR PART, SHALL BE MADE WITHOUT THE WRITTEN CONSENT FROM DSTI.