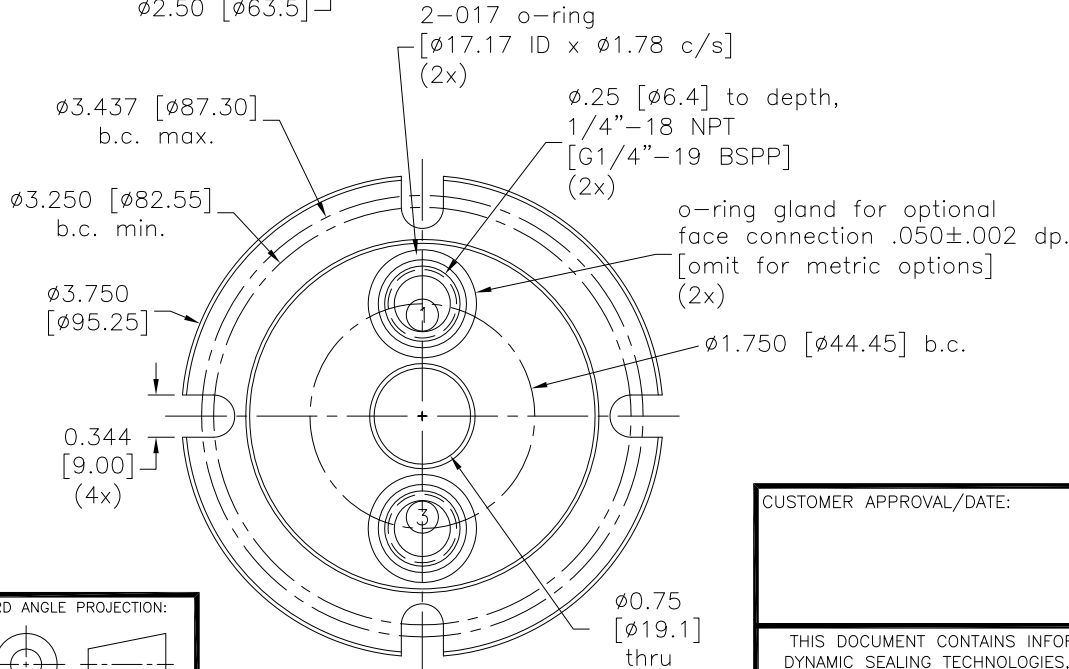
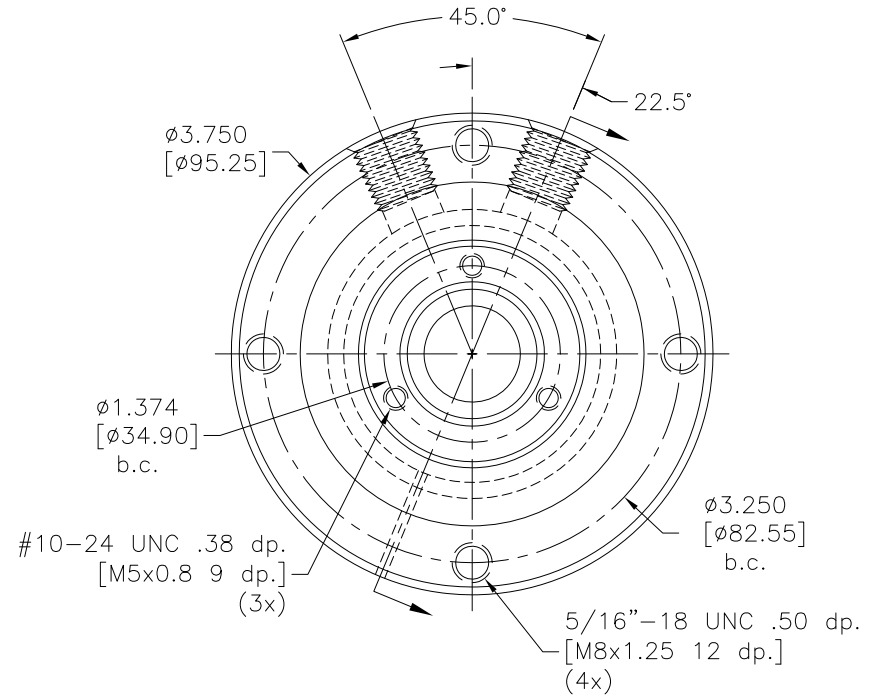
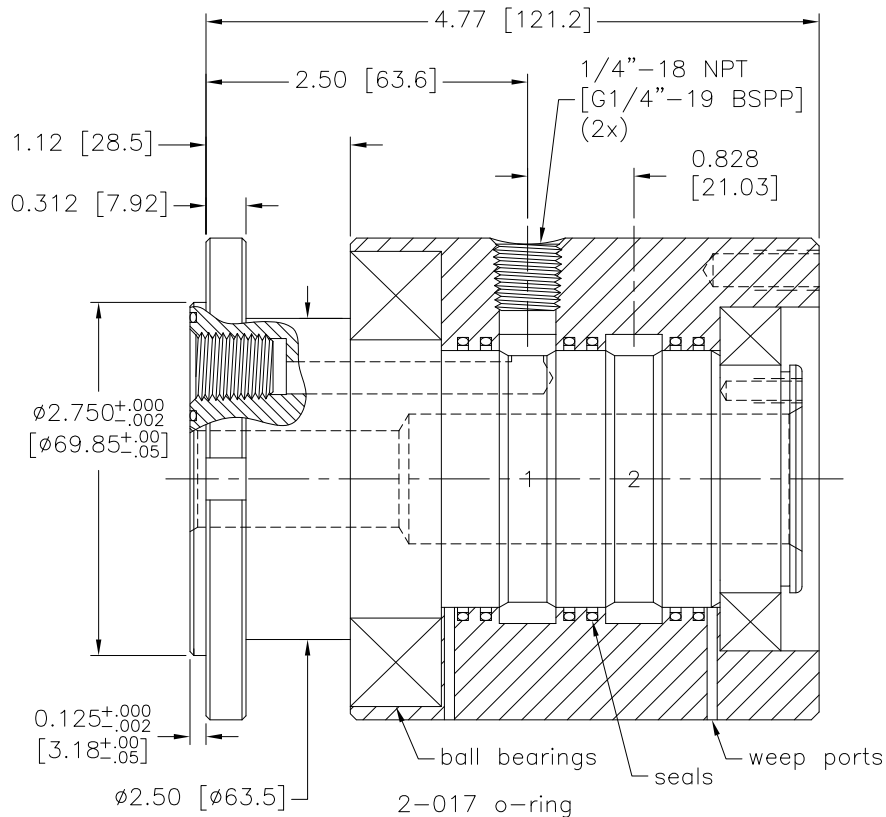


Rev:	Date	By	Chk	Description
A.1	5/4/12	PJE	TCB	ECO 0024



Notes:

1. Union will be rotated for seal break-in and static air tested.
2. Media must be filtered, clean and free of abrasive content or reduced union life will result.
3. Stainless steel union construction available by using GPS in place of GP in the series designation prefix.
4. Metric connections and threads available by using GPM in place of GP in the series designation prefix.
5. Stainless steel union construction and metric connections/threads available by using GPSM in place of GP in the series designation prefix.
6. See SHEETS 2 and 3 for product options.

Drawn	JSM	1/20/02
Checked	PJE	2/7/06
Checked	PJE	4/18/08

TOLERANCE EXCEPT AS NOTED	
X.X	±.125
X.XX	±.015
X.XXX	±.005
ANGLES	± 0.5°

CUSTOMER APPROVAL/DATE:

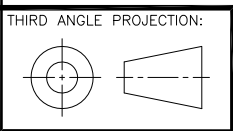
SHAFT MTL/PLTING:
CARBON STL / 17-4 SSSL
60-62 Rc / 40-47 Rc
BLK OXIDE / TDC

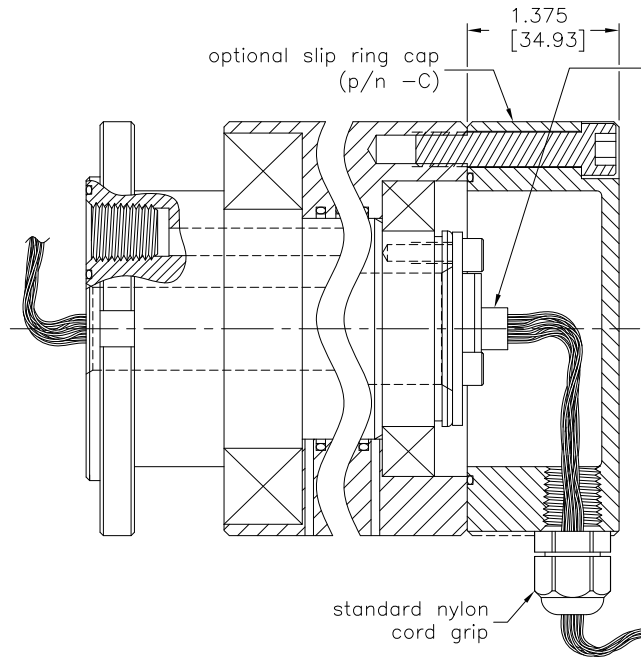
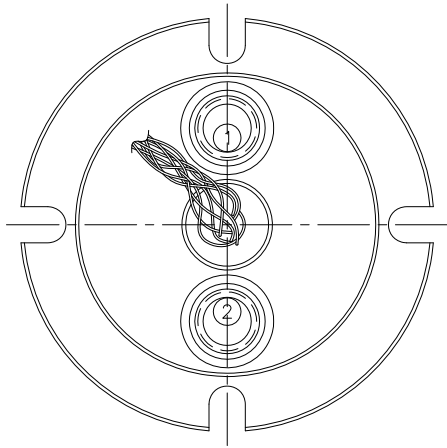
CUSTOMER: STOCK

THIS DOCUMENT CONTAINS INFORMATION WHICH IS PROPRIETARY TO DYNAMIC SEALING TECHNOLOGIES, INC. (DSTI) NO REPRODUCTION OR PUBLICATION OF THIS DOCUMENT OR IT'S CONTENTS, IN WHOLE OR PART, SHALL BE MADE WITHOUT THE WRITTEN CONSENT FROM DSTI.

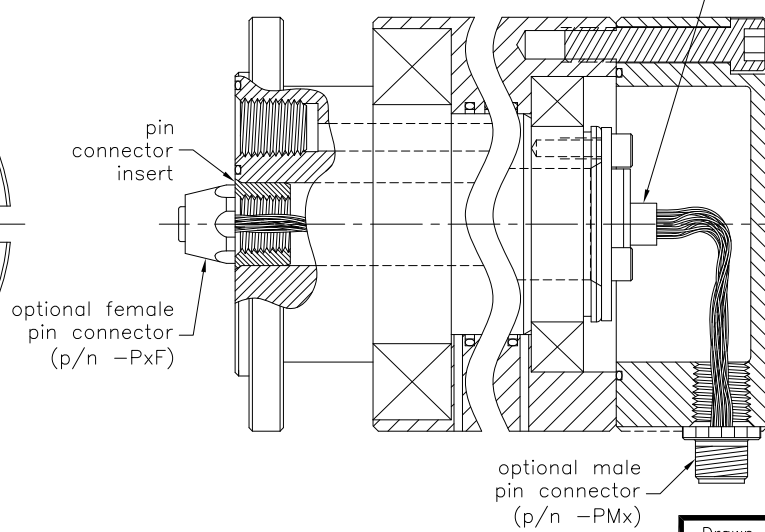
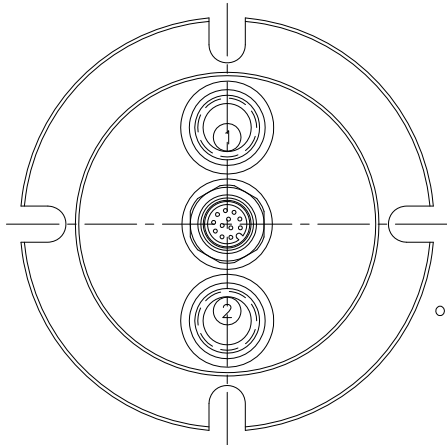
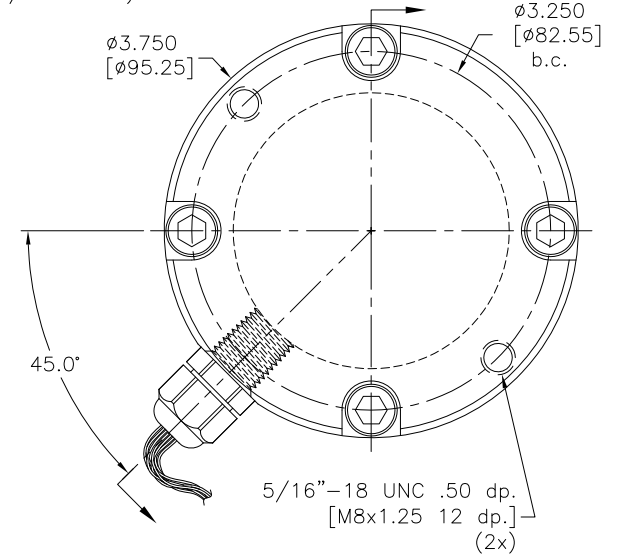
HOUSING MTL/PLTING:
CARBON STL / 303 SSSL
BLK OXIDE /

P/N: GP(S)(M)-221
REV: A.1

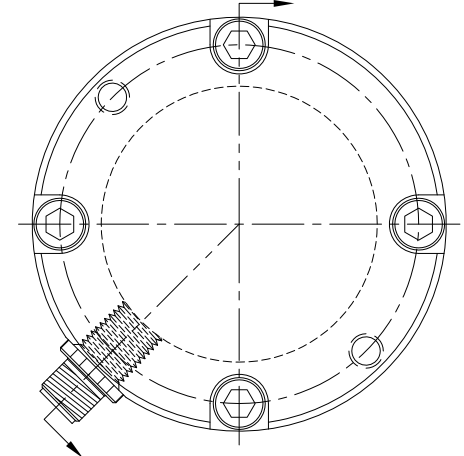




optional compact slip ring up to 56 circuits (p/n -ESxxx)



optional compact slip ring 6, 12, or 18 circuits (p/n -ESxxx)



Notes:

- Optional male AND female pin connector (p/n -PMF).
- Contact DSTI for details about slip rings and pin connectors.

Drawn	PJE	2/7/06
Checked	PJE	4/18/06
Checked	PJE	5/4/12

TOLERANCE EXCEPT AS NOTED	
X.X	$\pm .125$
X.XX	$\pm .015$
X.XXX	$\pm .005$
ANGLES	$\pm 0.5^\circ$

CUSTOMER APPROVAL/DATE:

THIS DOCUMENT CONTAINS INFORMATION WHICH IS PROPRIETARY TO DYNAMIC SEALING TECHNOLOGIES, INC. (DSTI) NO REPRODUCTION OR PUBLICATION OF THIS DOCUMENT OR IT'S CONTENTS, IN WHOLE OR PART, SHALL BE MADE WITHOUT THE WRITTEN CONSENT FROM DSTI.

CAP MTL/PLTING:

ALUM
BLUE ANODIZE

PIN CONNECTOR
INSERT MTL/PLTING:
ALUM
BLUE ANODIZE

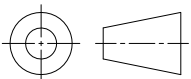


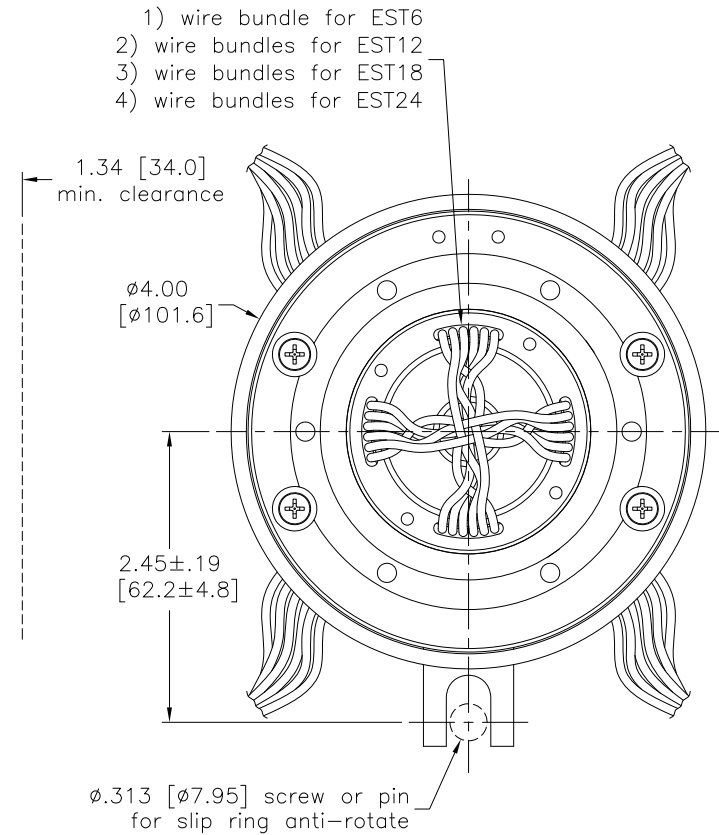
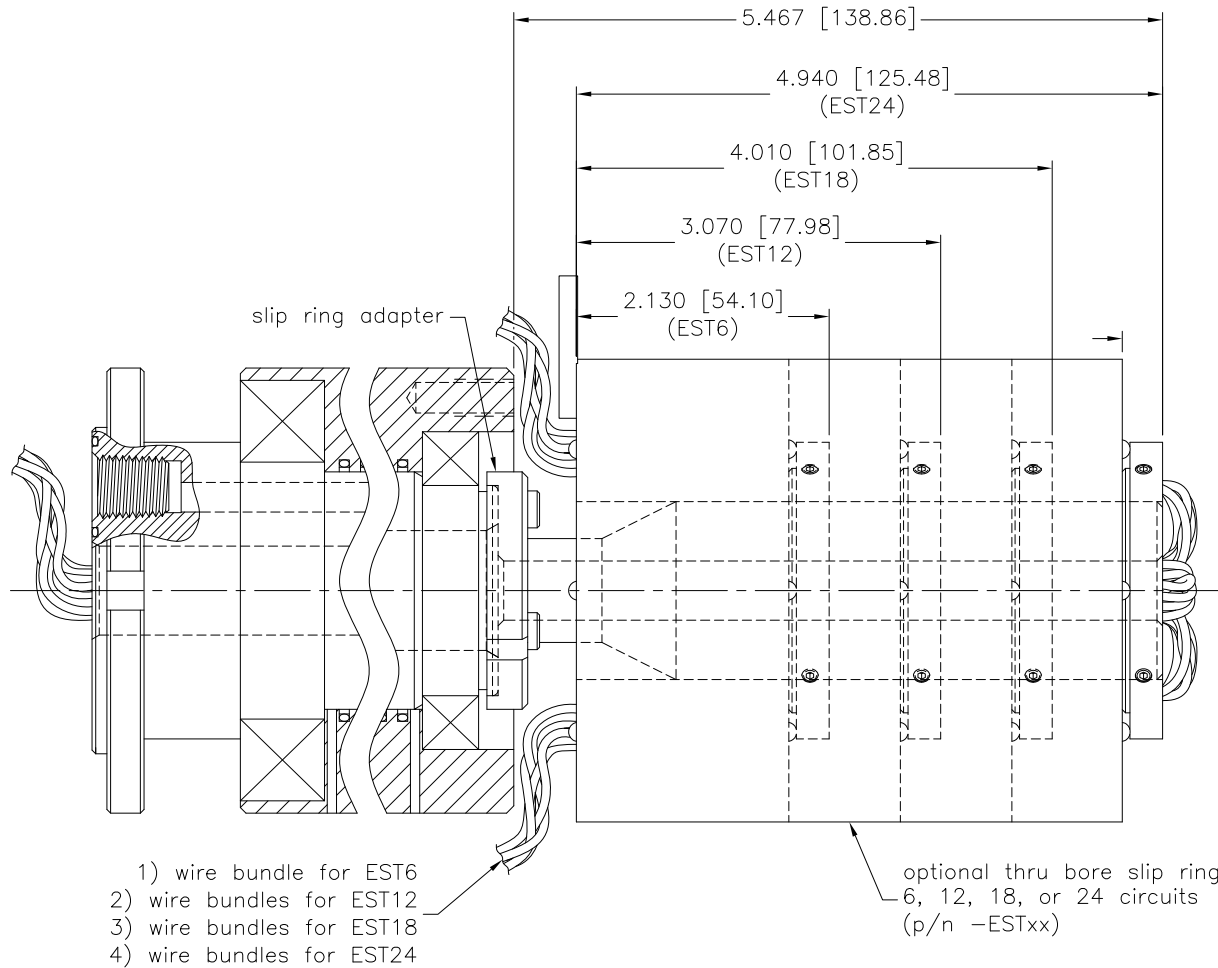
CUSTOMER:
STOCK OPTIONS

P/N:
GP(S)(M)-221

REV:
A.1

THIRD ANGLE PROJECTION:





Drawn	PJE	5/4/12
Checked	TCB	5/7/12
Checked	RAW	5/7/12

TOLERANCE EXCEPT AS NOTED	
X.X	$\pm .125$
X.XX	$\pm .015$
X.XXX	$\pm .005$
ANGLES	$\pm 0.5^\circ$



CUSTOMER APPROVAL/DATE:

THIS DOCUMENT CONTAINS INFORMATION WHICH IS PROPRIETARY TO DYNAMIC SEALING TECHNOLOGIES, INC. (DSTI) NO REPRODUCTION OR PUBLICATION OF THIS DOCUMENT OR IT'S CONTENTS, IN WHOLE OR PART, SHALL BE MADE WITHOUT THE WRITTEN CONSENT FROM DSTI.

ADAPTER MTL/PLTING:
ALUM
BLUE ANODIZE

CUSTOMER:
STOCK OPTIONS

P/N: GP(S)(M)-221
REV: A.1

