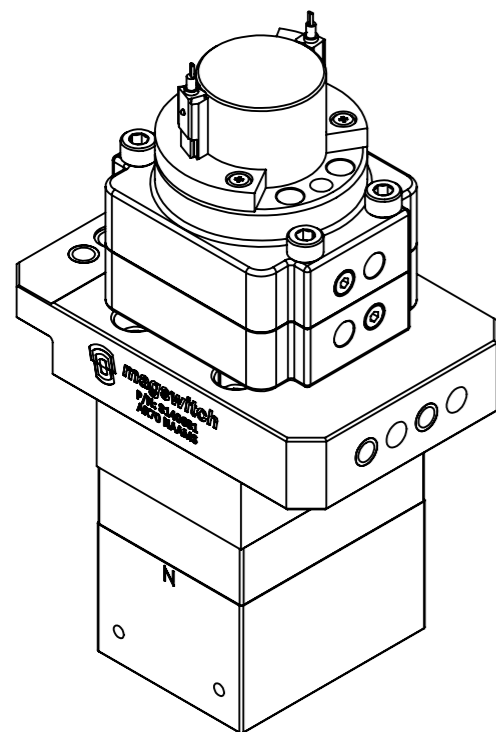
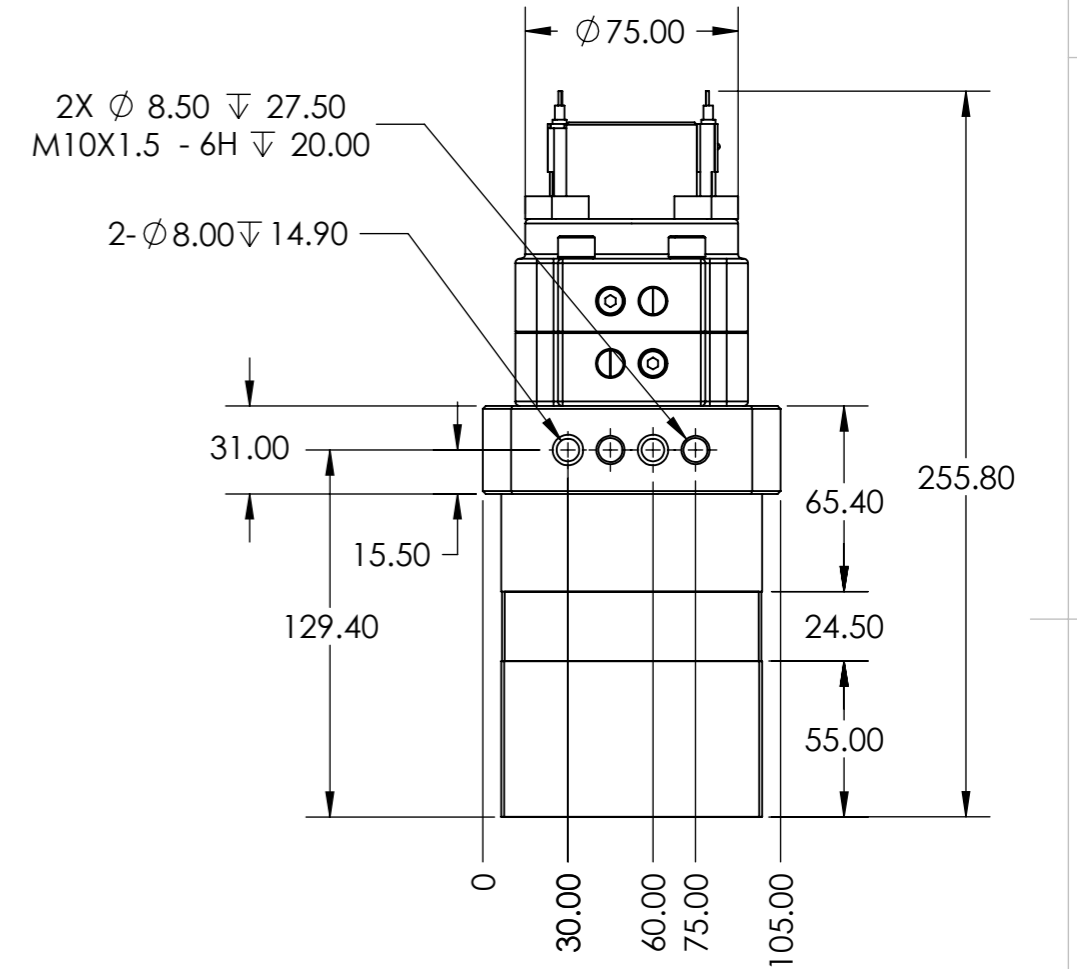
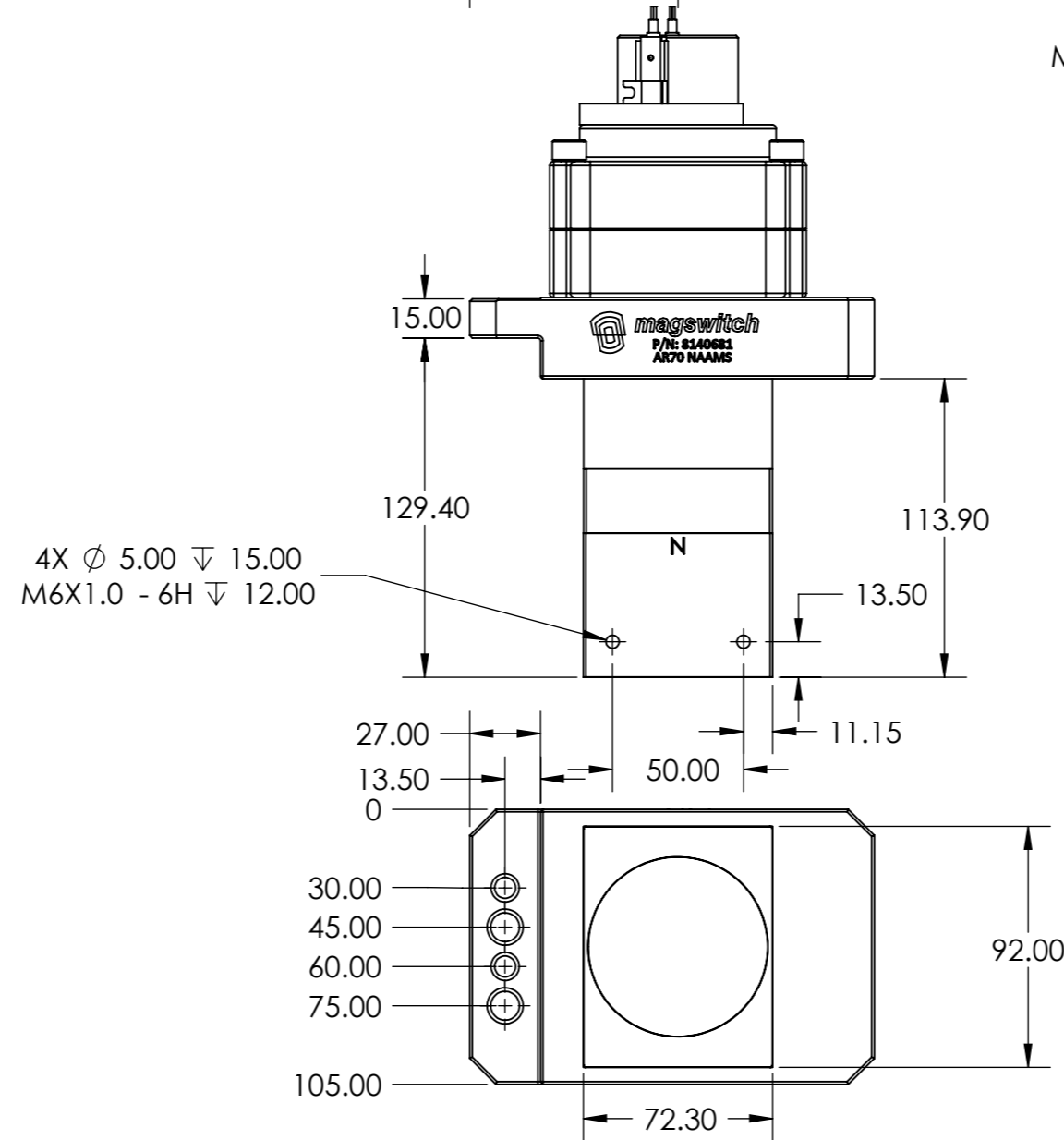
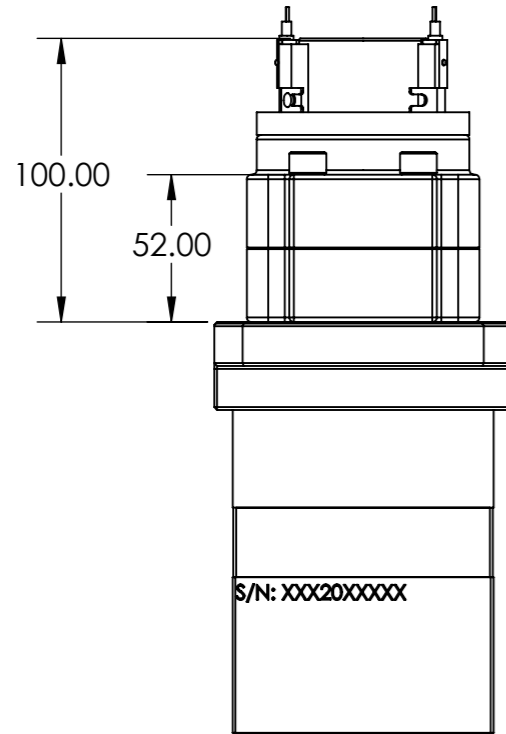
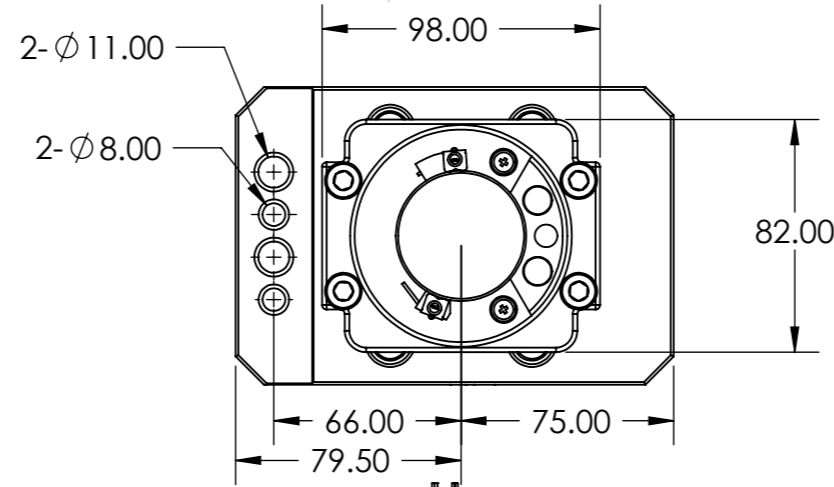


ACCESSORIES

| Part Number | Description                             |
|-------------|---|
| 8800059     | AR70 Blank Pole Shoe                    |
| 8800072     | AR70 Combo Flat/Pipe Pole Shoe Standard |

|                                |                   |
|--------------------------------|-------------------|
| Max Breakaway                  | 960 lbs/ 435.4 kg |
| Working Load 4:1               | 244 lbs/ 110.7 kg |
| Minimum Thickness for De-Stack | 1./2" / 12.7 mm   |



THIS DOCUMENT, AND THE INFORMATION IT CONTAINS, INCLUDING THE PRINCIPLES OF DESIGN, IS THE EXCLUSIVE PROPERTY OF MAGSWITCH TECHNOLOGY WORLDWIDE AND IS CONFIDENTIAL. ACCORDINGLY, THIS INFORMATION IS SUBMITTED TO YOU WITH THE AGREEMENT THAT IT IS NOT TO BE REPRODUCED, COPIED, OR LOANED IN PART OR IN WHOLE, NOR IS THE INFORMATION TO BE RELAYED TO ANY OTHER INDIVIDUAL OR COMPANY EXCEPT AS MTW FIRST AUTHORIZES IN WRITING. ACCEPTANCE OF THIS DOCUMENT CONSTITUTES AGREEMENT TO THESE RESTRICTIONS.

|  |            |                   |
|--|------------|-------------------|
| INTERPRET DRAWING PER:<br>ISO 2768-M       | DRAWN      | DATE<br>9/25/2013 |
| DIMENSIONS ARE IN MILLIMETERS              | DESIGN     | DATE              |
| <br>THIRD ANGLE PROJECTION<br>DO NOT SCALE | STD. CHECK | DATE              |
|  | F/F CHECK  | DATE              |
|  | APPROVED   | DATE              |

8774 YATES DRIVE, SUITE 140  
 WESTMINSTER, COLORADO 80031  
 303-468-0662 / FAX 303-951-9918

TITLE: **AR70 NAAMS**

|                  |           |                            |                  |
|------------------|-----------|----------------------------|------------------|
| SIZE<br><b>B</b> | CAGE CODE | DWG. NO.<br><b>8140681</b> | REV<br><b>03</b> |
| SCALE 3:8        |           | WEIGHT: 5580.32 g          | SHEET 1 OF 2     |